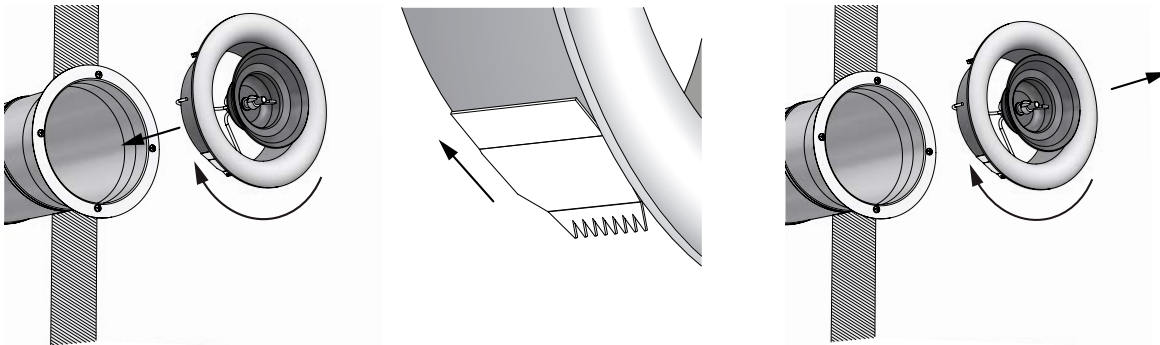


Lindab **Airy**

Supply and exhaust valve

Assembly instructions

Mounting of valve



The valve is equipped with flexible spring wings intended to fit in sheet metal fittings.

It is recommended that the valve is mounted in the frame ILVRU. The product will also fit in the valve frames VRGU, VRGM, VRFU, VRFM and BU GJUT and TCPU GJUT.

The valve body has to cover the brim of the product it is fitted into. Therefore the maximum diameter of the brim for Ø100 is 133,5 mm, for Ø125 is 152,5 mm and for Ø160 is 187,5 mm.

To mount the valve press the valve's body into the frame and rotate it clockwise. To demount the body rotate it clockwise while pulling.

Mounting close to wall or ceiling

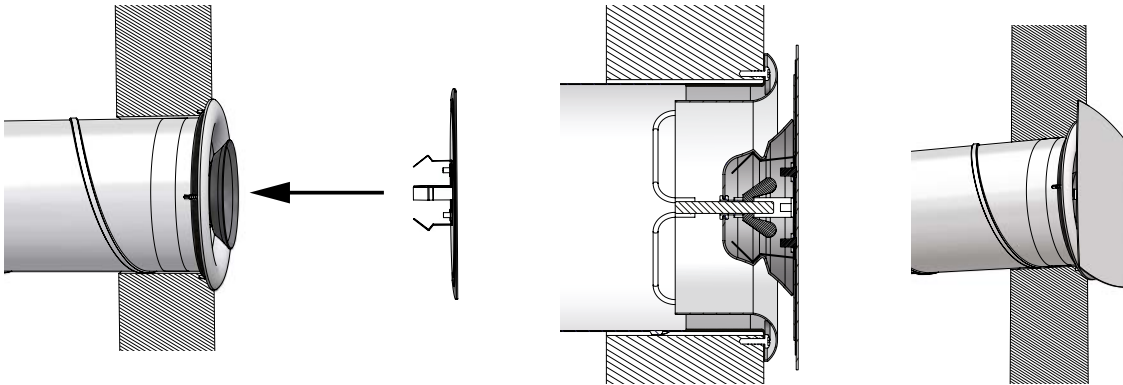
Mount the duct system firmly so the valve can be properly attached to the wall or ceiling.

When balancing the valve it is important that the frontplate can be rotated 360°.

If it is impossible to rotate it the front plate has to be removed before each adjustment

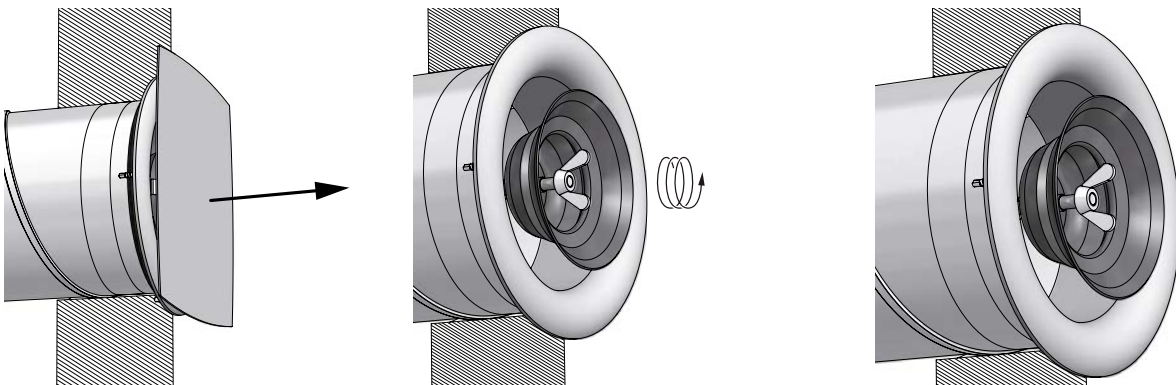
	Model	dim nom	b mm
	Round	100	70
		125	85
		160	118
	Square	100	100
		125	118
		160	150
	Bow	100	100
		125	118
		160	150
	Ellipse	100	130
		125	155
		160	195
	Rectangle	100	130
		125	155
		160	195

Mounting of front plate



1. If the valve needs to be balanced do so otherwise lock the cone's position by locking the wingnut on the threaded rod against the cone.
2. Attach the front plate of your choice onto the cone by clicking the springs into the cone.

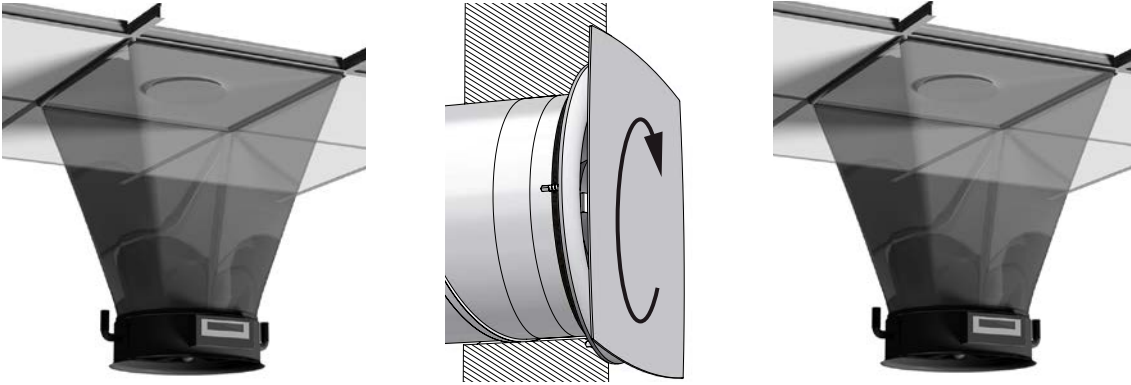
Balancing



Preparation

1. Remove the front plate.
2. Unscrew the wingnut so that the cone is unlocked and can be adjusted. Mount the front plate.

Method 1: Using a flow hood



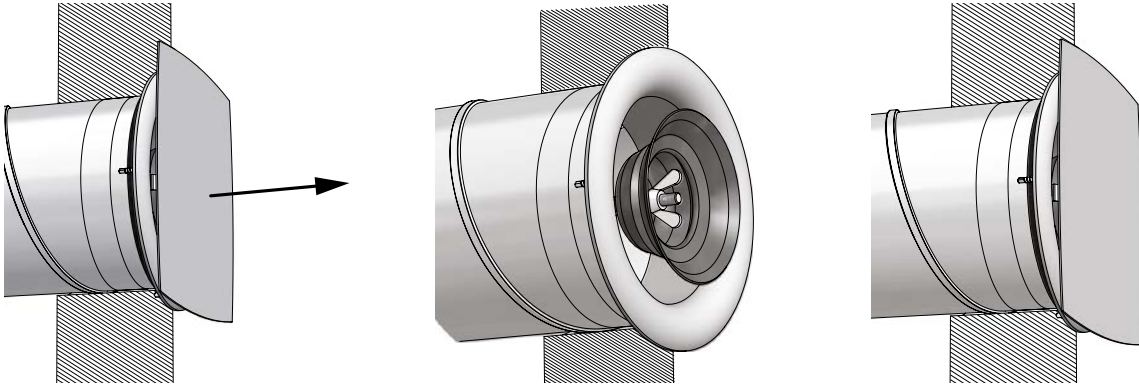
1. Place the flow hood over the valve and notice the air flow on the display.
2. Rotate the front plate to adjust the air flow. Place the flow hood over the valve and notice the air flow on the display. Repeat if necessary.

Method 2: Using pitot static tube



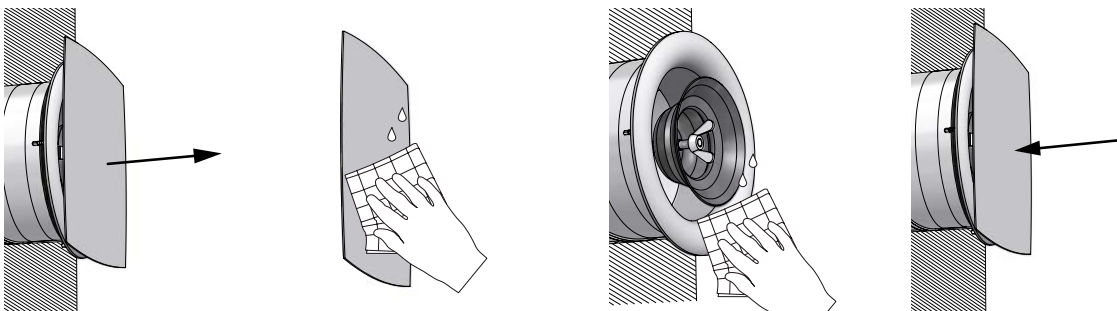
1. Drill a hole in the duct, about 3 times the diameter \varnothing of the duct, from the valve.
2. Insert the pitot static tube into duct and measure at 4 points in the duct. Rotate the front plate to adjust the air flow. Measure again with the pitot static tube. Repeat if necessary.
3. Plug the hole.

Completion



1. Remove the front plate and tighten the wing nut.
2. Mount the front plate.

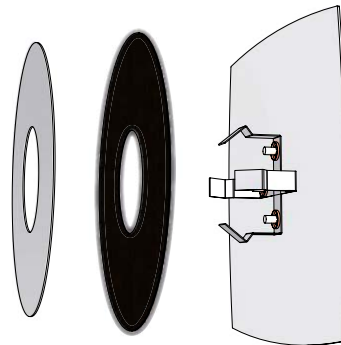
Maintenance



To clean the valve remove the front plate and clean it with a mild detergent or a wet cloth.

Make sure not to change the cone's position while cleaning the valve.

The insulation filter can be changed by first removing the insulation holder and then the filter. Press the new insulation filter onto the front plate and then press the insulation holder onto the insulation filter.





Good Thinking

At Lindab, good thinking is a philosophy that guides us in everything we do. We have made it our mission to create a healthy indoor climate – and to simplify the construction of sustainable buildings. We do that by designing innovative products and solutions that are easy to use, as well as offering efficient availability and logistics. We are also working on ways to reduce our impact on our environment and climate. We do that by developing methods to produce our solutions using a minimum of energy and natural resources, and by reducing negative effects on the environment. We use steel in our products. It's one of few materials that can be recycled an infinite number of times without losing any of its properties. That means less carbon emissions in nature and less energy wasted.

We simplify construction